



LIFT UP YOUR  
BUSINESS WITH US

# OVERHEAD CRANE



Industrial  
Machines

customized lifting goods &  
material handling equipment

— Payloads

5 TONS  
10 TONS  
15 TONS  
25 TONS



Indonesia



+62821-2525-3939  
+62878-8830-3939



info@vertikal-lift.com

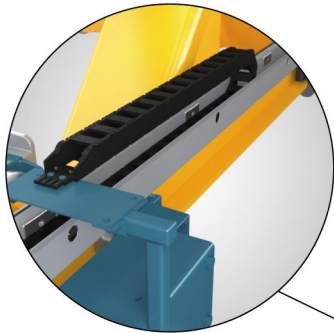
[www.vertikal-lift.com](http://www.vertikal-lift.com)

Always deliver more than expected

## Convenient energy chain (optional)

The energy chain on the V-type crane provides a protected power supply along the entire length of the crane girder without any visible cable run along the crane.

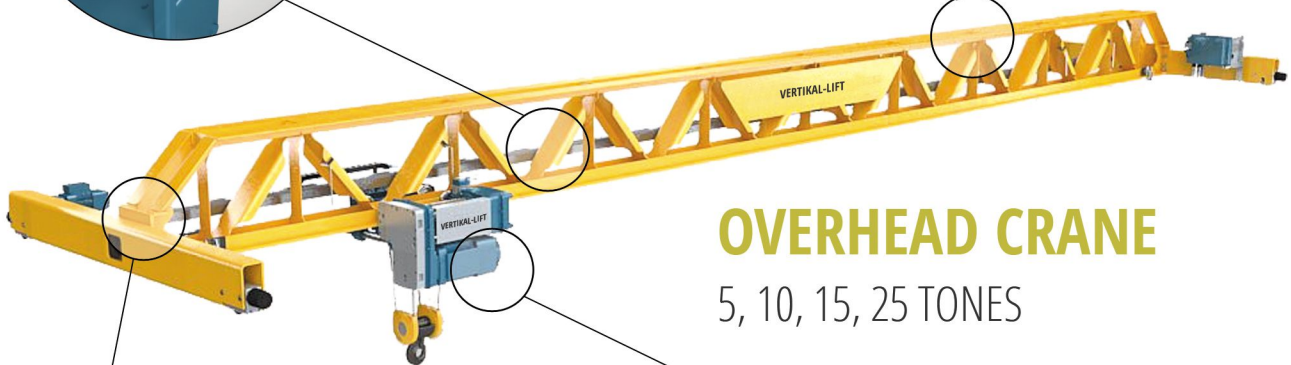
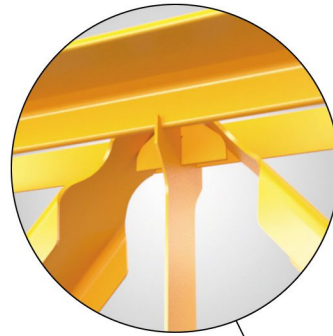
- Improved clearance dimensions when the crane passes over obstacle edges
- Improved safety and reliability
- Reduced maintenance requirements
- Higher working clearance below the crane



## Tapered diaphragm joints

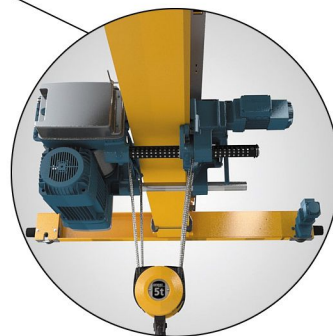
The newly developed diaphragm joints reduce resonance frequency by 30% by effectively accommodating pressure and tensile forces.

- Loads settle more quickly
- Improved precision for load handling
- Shorter cycle times
- Higher handling rates



## OVERHEAD CRANE

5, 10, 15, 25 TONES



## New design and configurations tailored to meet individual needs

Variable configurations offer even greater flexibility for planning and load handling.

- Five model variants to choose from
- Can be adapted to the given building design

## Reliable rope hoists

Compact design and minimum trolley approach dimensions boost crane performance.

- High lifting speeds
- Higher handling rates
- Long service life
- High FEM classification
- Frequency inverter-fed cross-travel motion



### Outstanding radio control

The V-type crane is available with our state-of-the-art DRC radio remote control.

- Longer rechargeable battery service life
- Multiple-transmitter operation
- Vibration alarm
- Speed limit function



### Machined bolted connection

Parallel alignment of the connecting surfaces provides for minimum wear of travel wheels and crane runways.

- Gentler loads on the entire crane system
- Reduced maintenance costs
- Facilitates quiet and reliable long-travel motions

## Outstanding performance

The benefits of the V-type girder at a glance.

#### IMPROVED EFFICIENCY

- More precise positioning
- Higher handling rates
- Double the service life

#### OPTIMIZED DEADWEIGHT

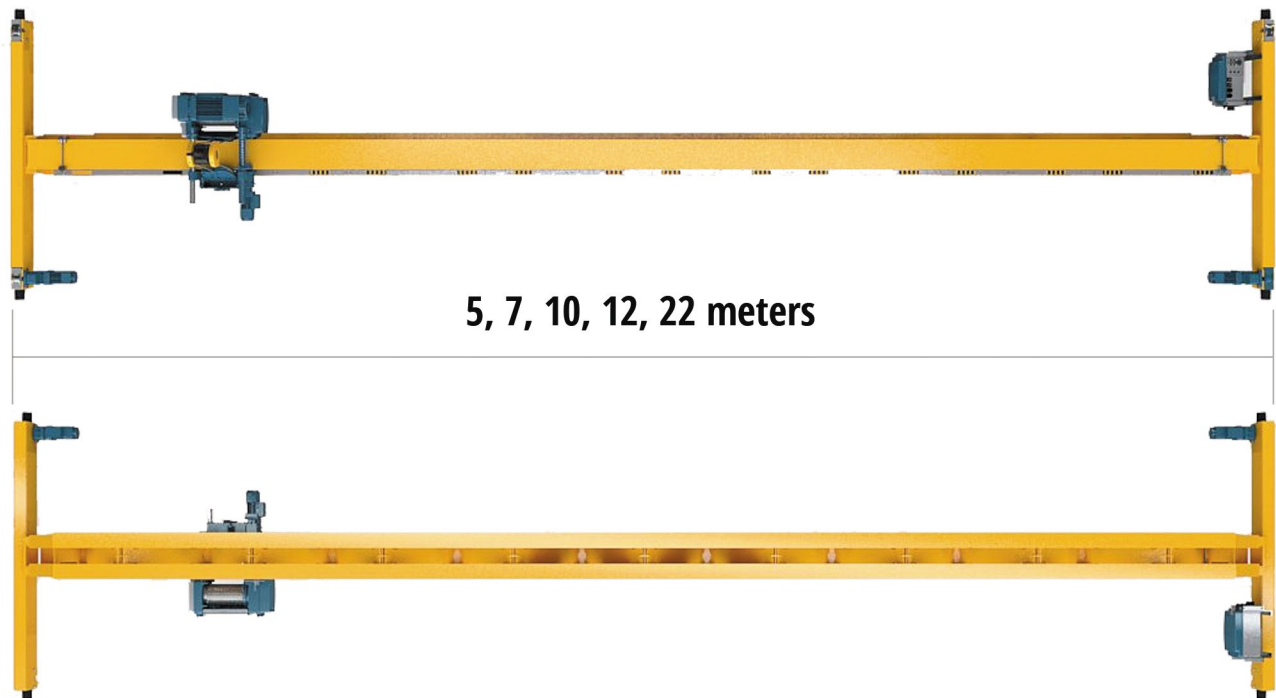
- Lower forces transmitted to existing support superstructures
- Additional load capacity
- Greater flexibility in headroom dimensions

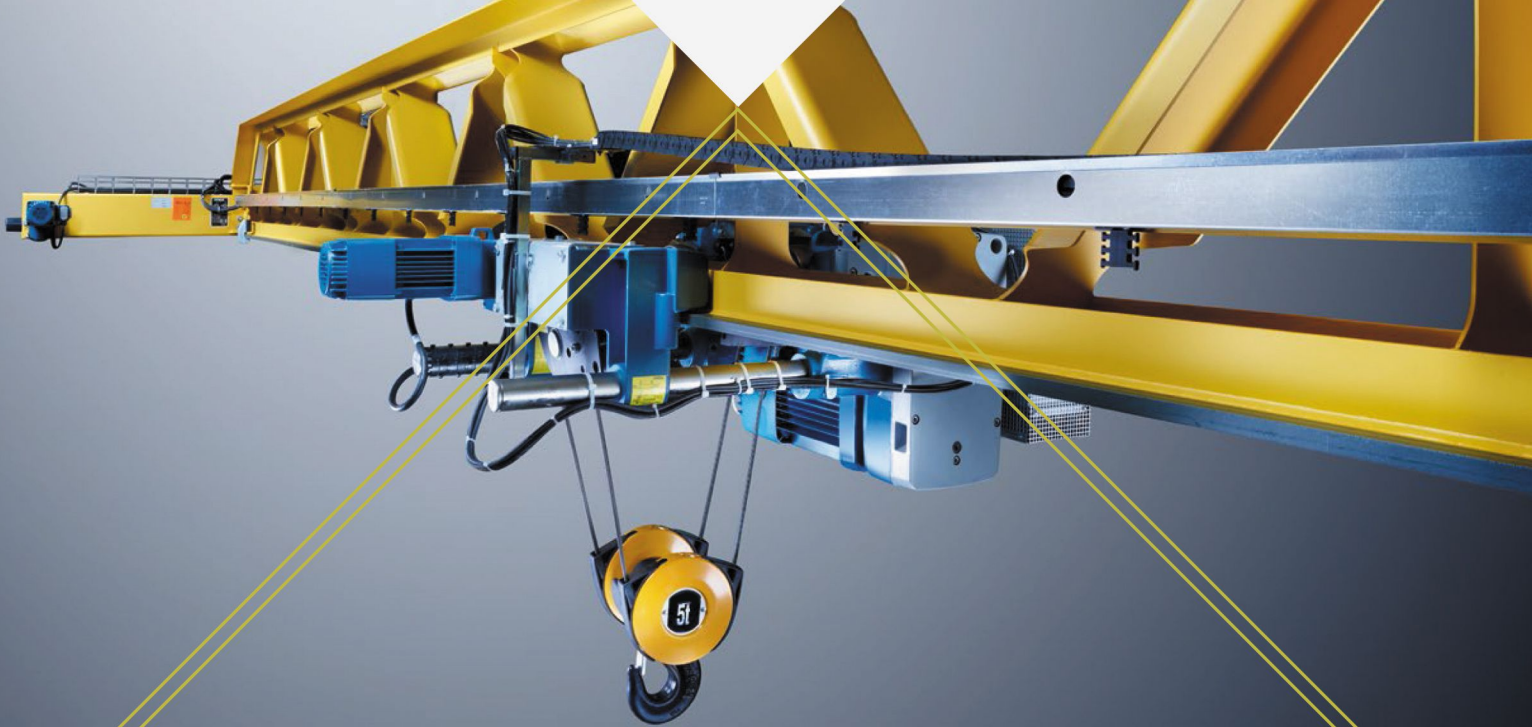
#### EASE OF SERVICE

- Simplified installation thanks to more lifting points
- Simple and reliable inspection of weld seams

#### SAFETY

- Surface area exposed to wind reduced by up to 55%
- Additional safety thanks to improved view





We can customize and create a solution that will meet the unique requirements of your project and gives the execution of works in time and even earlier.



Do you have questions?

Do not hesitate, call us or leave a message in whatsapp.

+62821-2525-3939

+62878-8830-3939

